



Modular Voice Communication Devices



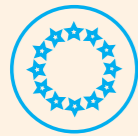
TIPRO

www.tipro.net



About TIPRO

Manufacturer of Voice Communication Dispatching Devices and Programmable Keyboards



EU-based company

EU-based company with HQ in Slovenia. Established in 1991.



Own Designing and Manufacturing of Hardware

The whole process from design, procurement, production to sales & marketing is in-house.



Modularity & Programmability

Customers can combine and configure various modules into specific compositions suitable to their applications.



Longevity

As a manufacturer and the owner of product designs, we are in the position to guarantee long product lifecycle.



Reliability

Understanding the requirements for reliability we implement proven technologies with carefully selected suppliers and components.



Open Standards

Application of open-standard interfaces provides for a seamless integration of our products into existing environments.

Established back in 1991, Tipro is a small-size private limited company, based in Slovenia with headquarters and production in its own facility.

We develop and manufacture a voice communication dispatcher devices and programmable keyboards. Our in house R&D team develops devices for environments with the highest requirements for quality and reliability. From mechanical design to embedded firmware, each component is carefully selected from trustworthy suppliers and manufacturers worldwide.

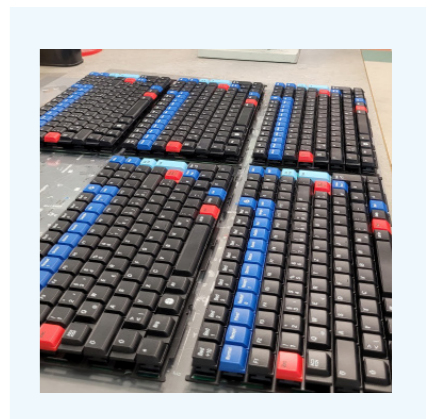
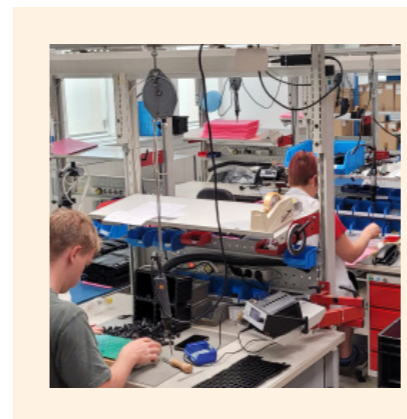
Every product is certified for different markets and environments. Our production lines combine advanced automation and precise human supervision. Every step is optimized for consistency, traceability, and long-term reliability.

Tipro dispatcher devices are modular and programmable, built to adapt to specific operational needs and based on open standards. From programmable keyboards to voice communication devices, every device is purpose-built. Each individual module is functionally tested and approved before it leaves our facility.

Our devices power essential operations, where communication means safety and reliability is a must.

From idea to final product. Tipro delivers communication you can count on.

Built in Europe. Trusted Worldwide.



Content

Product Portfolio	2
Modularity Concept	3
Applications	4
Control Room Example	5
Touchcomputers - BeFREE	6
BeFREE 22	7
BeFREE 20	9
BeFREE 10	11
Panel/Rack mount BeFREE 10	13
BeFREE 07	15
Differences between BeFREEs	17
BeFREE 03	19
Touchmonitors - FREE+	
FREE+ 22	21
FREE+ 10	23
Audio Devices	
Intercom	25
Speakerbox	27
Handset	29
Keyboards - FREE	31
ChangeMe Software	32

Product Portfolio

Voice Communication Dispatching Devices

Touchcomputers BeFREEs - Terminals/Consoles

Ergonomic integration of a fanless touchcomputer and an intercom. The touchcomputers are available in different sizes and can be combined with other Tipro modules into multifunctional terminals for various applications.



Touchmonitors FREE+

Ergonomic integration of a touchscreen, microphone and speakers offered in two different sizes. They can be used with any external computer and combined with other audio devices and programmable keyboards.



Audio Devices

Standalone USB audio devices or add-on modules designed for clear and reliable audio performance.

Programmable Keyboards FREE

Programmable keyboards in different sizes and custom layouts enable fast access to commands and shortcuts.

Modularity

What does it mean?

- » Freedom to choose modules
- » Arrange the modules in an ergonomic order
- » Configure settings and parameters
- » Create own terminal/console
- » Add new modules in the future
- » Redefine settings remotely
- » Upgrade the terminal/console

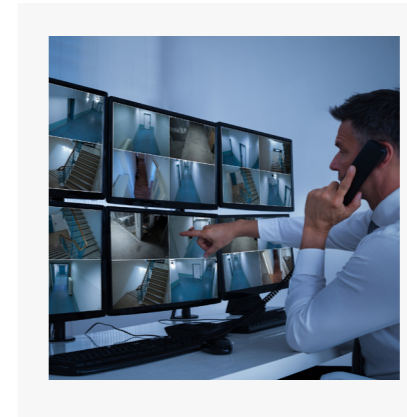


Configure the Right Console for You

Applications

Control Centers in Different Industries

- » Operator/Dispatcher terminals/consols can be used for command and control centres in:
 - Transport and traffic control (railways, air traffic ...)
 - Public safety (police, fire brigades, ambulance ...)
 - Utilities (electricity, gas ...)
 - Building/facility management systems (airports, banks, industrial plants ...)
- » Trading and banking consoles
- » Multifunctional control panels



Control Room Example

Why TIPRO?

- » One supplier
- » In-house expertise and development
- » Modularity and programmability (ChangeMe Software)
- » Cable management - hidden and secured cables
- » Fully tested and proven configurations
- » Reliable performance in critical operations
- » Easy customization and integration
- » Fast and responsive support
- » 3-year warranty

Touchcomputers

BeFREEs

- » Ergonomic integration of a fanless touchcomputer and an intercom
- » Different sizes available - from 15,6", 15,0", 10,4" or 3,5".
- » **Modular** - can be combined with other audio modules and keyboards into multifunctional terminals
- » **Programmable** - all keys can be programmed as keyboard, HID Telephony, HID Gamepad events
- » Audio settings can be programmed (volume settings, microphone sensitivity, PTT/PTM, HOOK events, etc)
- » All settings are stored in hardware, configuration software [ChangeMe](#)
- » Low-profile horizontal design
- » Silent and reliable - no moving parts, industrial grade components
- » Built-in Tipro Controller
- » Extensive connectivity (LAN, USB, COM, external display, digital inputs, analog audio)
- » **Cable management** - hidden and secured, but accessible
- » Operating System: Windows, Linux supported. Supplied without operating system.





Touchcomputer BeFREE 22

15.6" Touchcomputer with Integrated Intercom and Line Keys



Left Speaker
Rated power: 8W max

Programmable Control Keys
Brightness, Touch Disable Key, Volume

Left Encoder
Volume control

ON/OFF Key

LED Indicators
Power, Disk, Touch Disable, Warning

Line Keys with LED Indicators
16 programmable keys

Programmable PTT Key
LED backlight

Fanless Embedded Computer
Intel J6412, 8GB RAM, 256GB SSD

Goose-neck Microphone
Unidirectional, Programmable sensitivity

Bar-Graph Display
VU meter

Right Speaker
Rated power: 8W max

Microphone LED
Illuminated while the microphone is active

Right Encoder
For volume control

Touchscreen
Projected Capacitive (PCAP)

Display
15.6",HD (1920 x 1080)

Intercom

- » Stereo loudspeakers (5W each) with two separate volume controls (incremental encoders)
- » Goose-neck microphone with illuminated PTT key
- » Dual USB audio device
- » Connected to the internal sound card (analogue interface)
- » Up to eight listening (output) and up to four recording (input) channels
- » Connection for analogue switching Handset
- » Optional echo-canceller with a digital signal processor

Programmable Keys - User Configurable

- » 16 single keys with integrated LED indicators or
- » 8 double keys with integrated LED indicators or
- » 16 blind keys or
- » Various combinations of single, double and blind keys
- » Optional without programmable Keys

Keys & Indicators

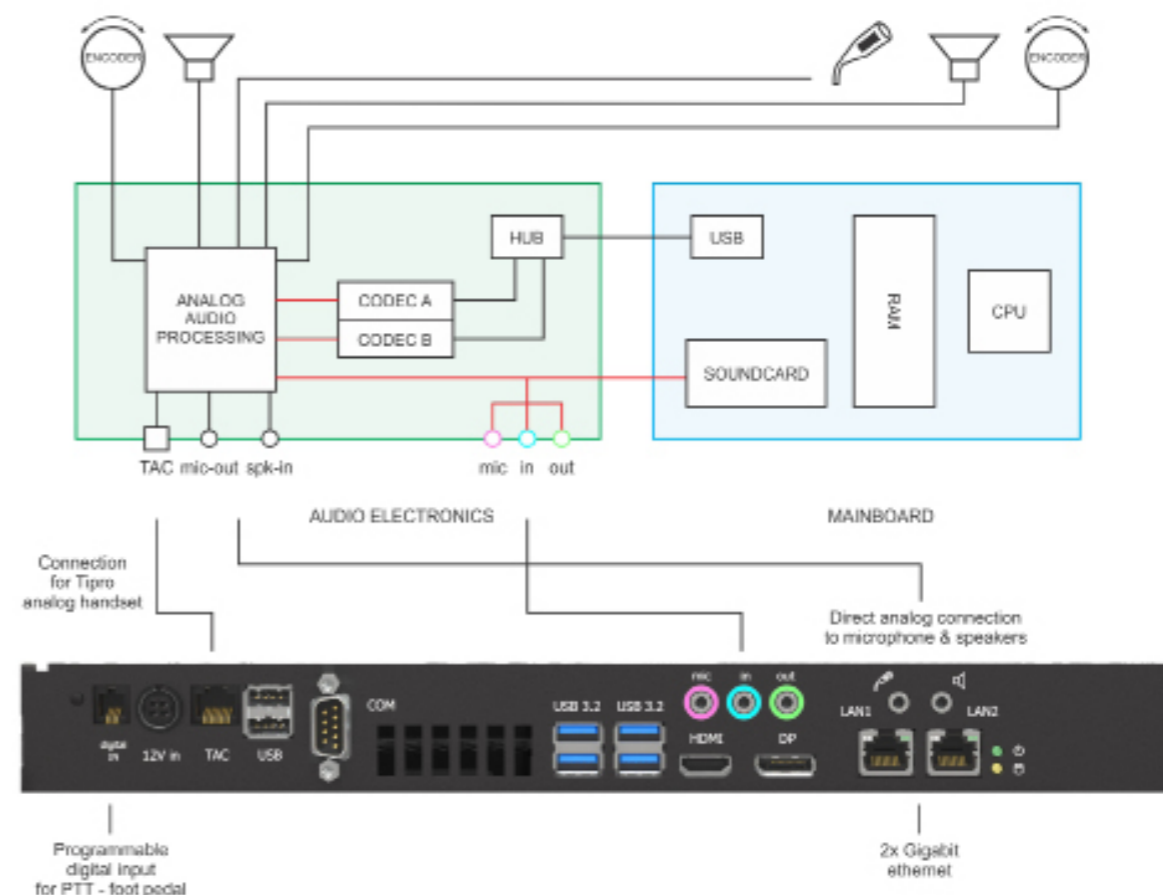
- » Two volume control incremental encoders (endless potentiometers)
- » Illuminated PTT key
- » Five mechanical keys for brightness control, volume adjustment and touchscreen (de) activation
- » Dual three-colour bar-graph display as VU meter, volume and brightness indicator
- » Several LED indicators (power, SSD, microphone, touchscreen ...)

Options

- » Hardware **Echo Cancellation** (for use with duplex audio, in case no echo cancellation is present in software)
- » 16 GB RAM
- » **Handset** (one or more on the left or right side) can be either:
 - a) USB; Besides the Handsfree audio, this offers an extra, independent, voice channel.
 - b) Analog Switching; There is one audio (voice) channel that switches automatically from Handsfree to Handset when lifting the Handset.
- » **HID Gamepad** Interface



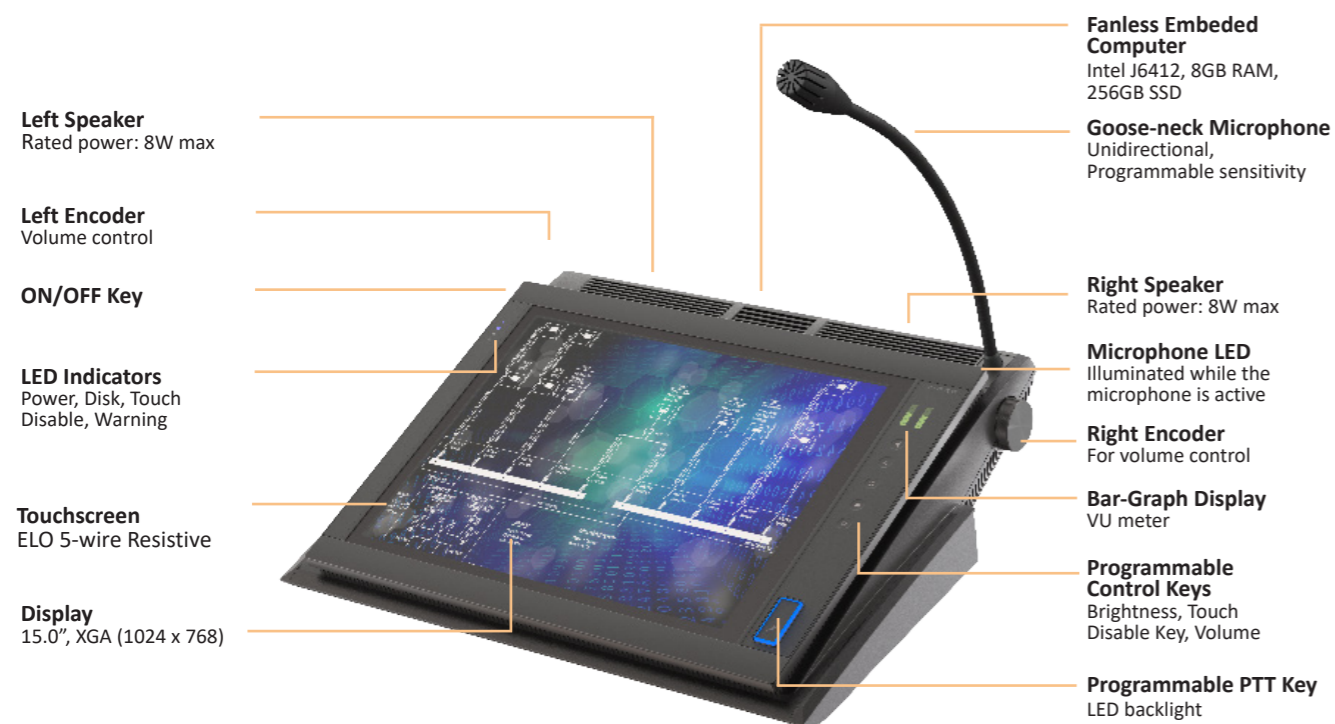
Audio Diagram





Touchcomputer BeFREE 20

15.0" Touchcomputer with Integrated Intercom



Intercom

- » Stereo loudspeakers (5W each) with two separate volume controls (incremental encoders)
- » Goose-neck microphone with illuminated PTT key
- » Dual USB audio device
- » Connected to the internal sound card (analogue interface)
- » Up to six listening (output) and up to three recording (input) channels
- » Connection for analogue switching Handset
- » Optional echo-canceller with a digital signal processor

Keys & Indicators

- » Two volume control incremental encoders (endless potentiometers)
- » Illuminated PTT key
- » Five mechanical keys for brightness control, volume adjustment and touchscreen (de)activation
- » Dual three-colour bar-graph display as VU meter, volume and brightness indicator
- » Several LED indicators (power, SSD, microphone, touchscreen ...)



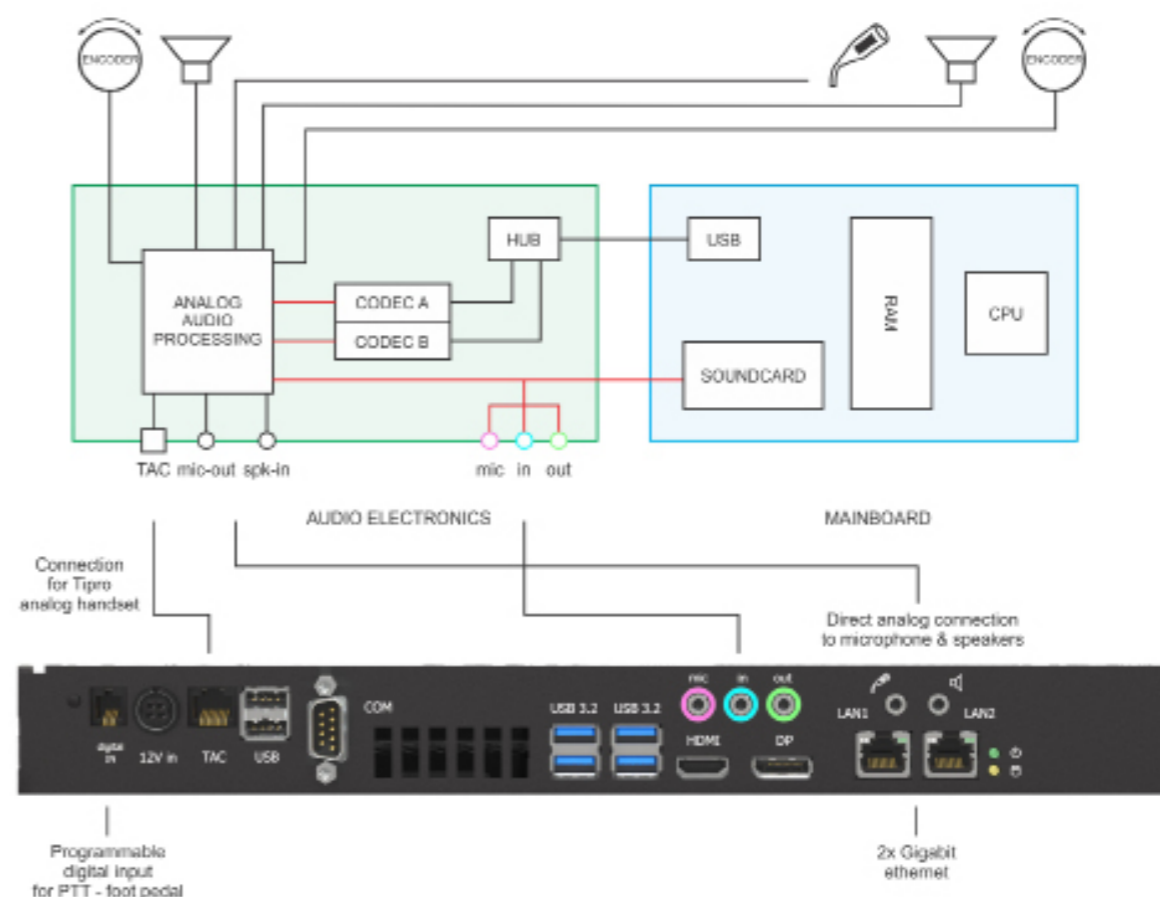
Options

- » Hardware **Echo Cancellation** (for use with duplex audio, in case no echo cancellation is present in software)
- » 16 GB RAM
- » **Handset** (one or more on the left or right side) can be either:
 - a) USB; Besides the Handsfree audio, this offers an extra, independent, voice channel.
 - b) Analog Switching; There is one audio (voice) channel that switches automatically from Handsfree to Handset when lifting the Handset.
- » **HID Gamepad** Interface
- » **Keyboard** - if more shortcut keys are needed
- » **Inclination mechanism** to change the angle of the display
- » Custom **logotype** on the top frame



Optional Inclination Mechanism

Audio Diagram





Touchcomputer BeFREE 10

10.4" Touchcomputer with Integrated Intercom

Fanless Embedded Computer
Intel J6412, 8GB RAM, 256GB SSD

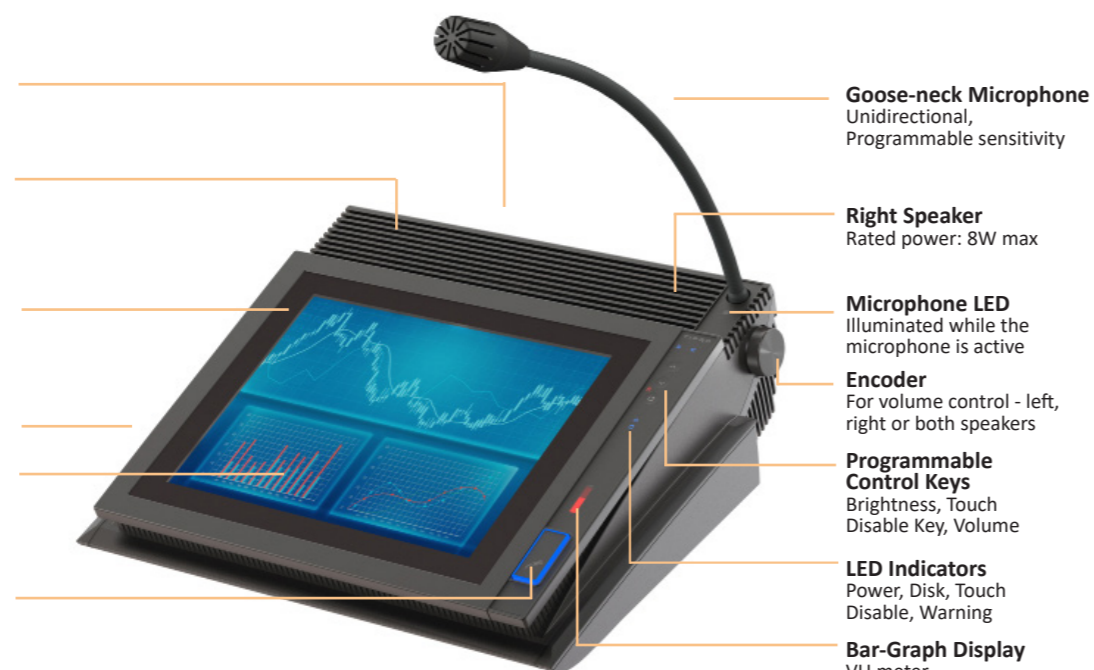
Left Speaker
Rated power: 8W max

Touchscreen
Projected Capacitive (PCAP)

ON/OFF Key

Display
10.4", XGA (1024 x 768)

Programmable PTT Key
LED backlight



Goose-neck Microphone
Unidirectional, Programmable sensitivity

Right Speaker
Rated power: 8W max

Microphone LED
Illuminated while the microphone is active

Encoder
For volume control - left, right or both speakers

Programmable Control Keys
Brightness, Touch Disable Key, Volume

LED Indicators
Power, Disk, Touch Disable, Warning

Bar-Graph Display
VU meter

Intercom

- » Stereo loudspeakers (5W each) with volume control (incremental encoders)
- » Goose-neck microphone with illuminated PTT key
- » USB audio device
- » Connected to the internal sound card (analogue interface)
- » Up to four listening (output) and two recording (input) channels
- » Connection for analogue switching Handset
- » Optional echo-canceller with a digital signal processor

Keys & Indicators

- » Volume control incremental encoder (endless potentiometer) with switch
- » Illuminated PTT key
- » Three mechanical keys for brightness control and touchscreen (de)activation
- » Three-colour bar-graph display as VU meter, volume and brightness indicator
- » Several LED indicators (power, SSD, microphone, speakers, touchscreen ...)
- » Optional 12 Line Keys (factory built-in)



Optional: Line Keys

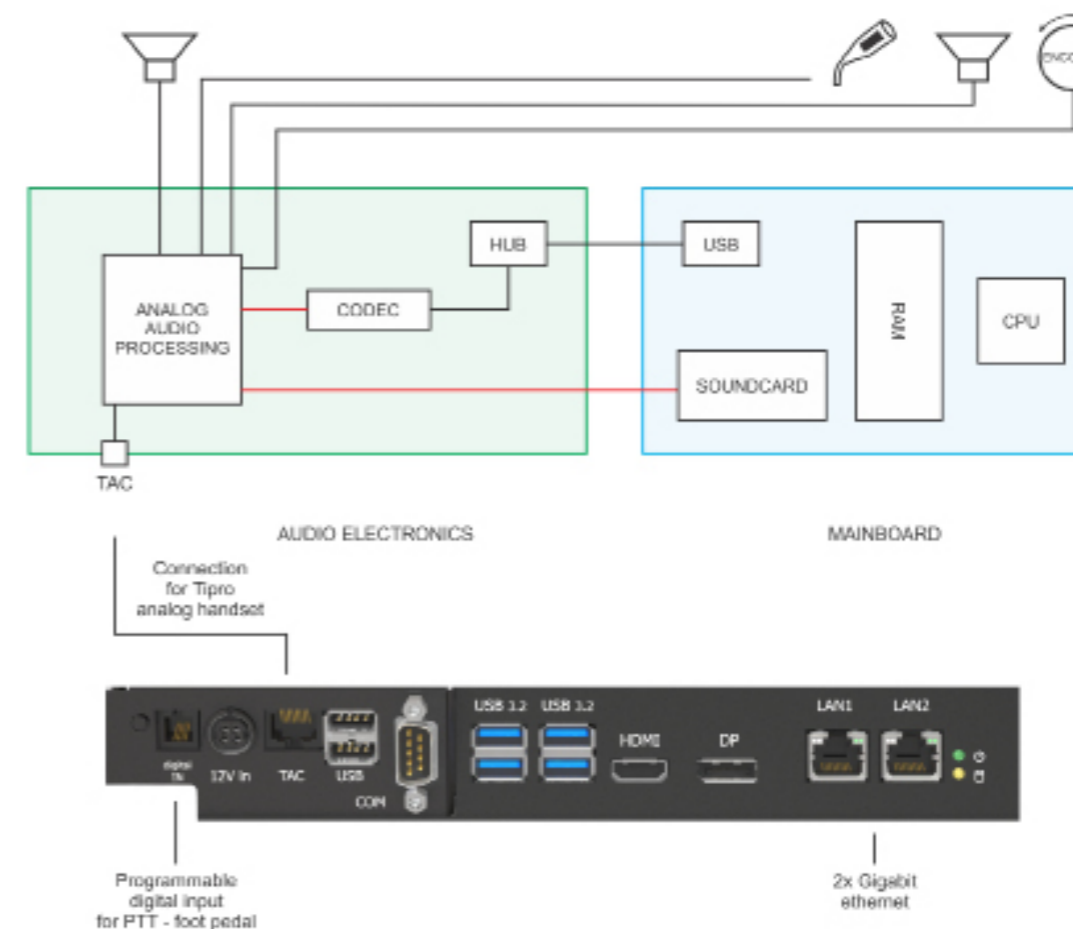
Options

- » Hardware **Echo Cancellation** (for use with duplex audio, in case no echo cancellation is present in software)
- » 16 GB RAM
- » 12 additional tactile **programmable keys** with custom **printing**
- » **Handset** (one or more on the left or right side) can be either:
 - a) USB; Besides the Handsfree audio, this offers an extra, independent, voice channel.
 - b) Analog Switching; There is one audio (voice) channel that switches automatically from Handsfree to Handset when lifting the Handset.
- » **HID Gamepad** Interface
- » **Keyboard** - if more shortcut keys are needed
- » **Inclination mechanism** to change the angle of the display
- » Custom **logotype** on the top frame



Modular & Programmable

Audio Diagram





Touchcomputer BeFREE 10

10.4" Panel/Rack Mount Touchcomputer with Integrated Intercom in Metal Frame

Fanless Embedded Computer
Intel J6412, 8GB RAM, 256GB SSD

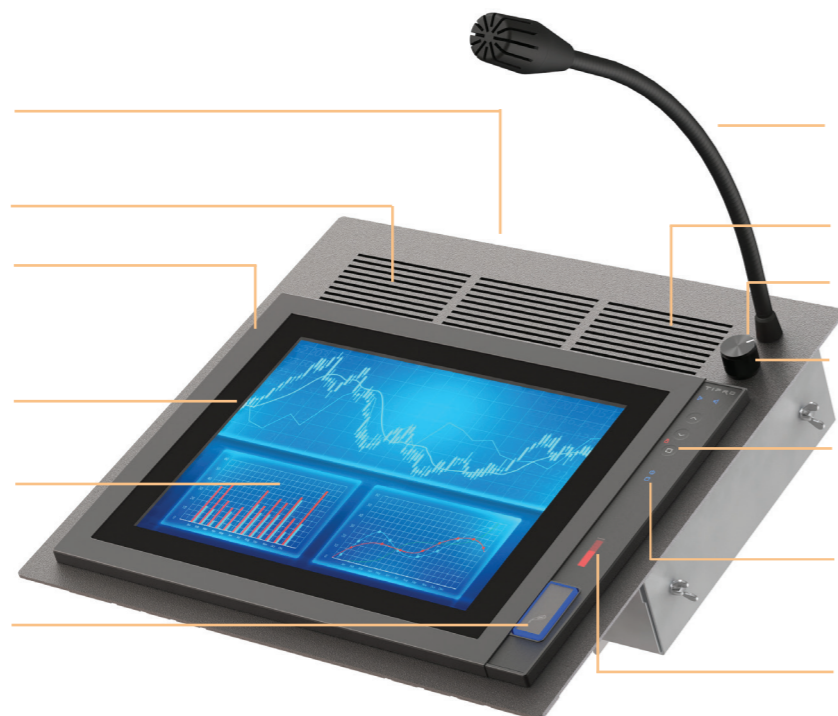
Left Speaker
Rated power: 8W max

ON/OFF Key

Touchscreen
Projected Capacitive (PCAP)

Display
10.4", XGA (1024 x 768)

Programmable PTT Key
LED backlight



Goose-neck Microphone
Unidirectional, Programmable sensitivity

Right Speaker
Rated power: 8W max

Microphone LED
Illuminated while the microphone is active

Encoder
For volume control - left, right or both speakers

Programmable Control Keys
Brightness, Touch Disable Key, Volume

LED Indicators
Power, Disk, Touch Disable, Warning

Bar-Graph Display
VU meter

Dimensions

- » 332 x 316 mm [WxH]
- » Cut-out: 310 x 293 mm [WxH]
- » Depth (from surface): 94 mm



Panel Mount BeFREE 10 with Handset

Intercom

- » Stereo loudspeakers (5W each) with volume control (incremental encoders)
- » Goose-neck microphone with illuminated PTT key
- » USB audio device
- » Connected to the internal sound card (analogue interface)
- » Up to four listening (output) and two recording (input) channels
- » Optional echo-canceller with a digital signal processor

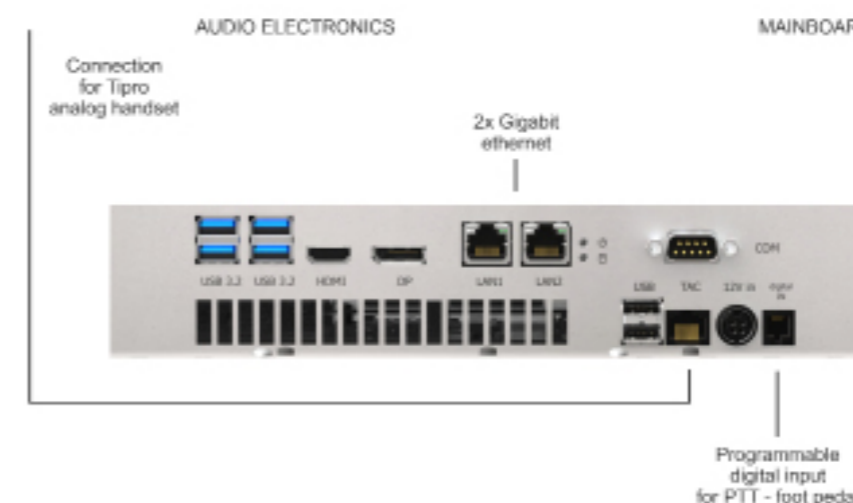
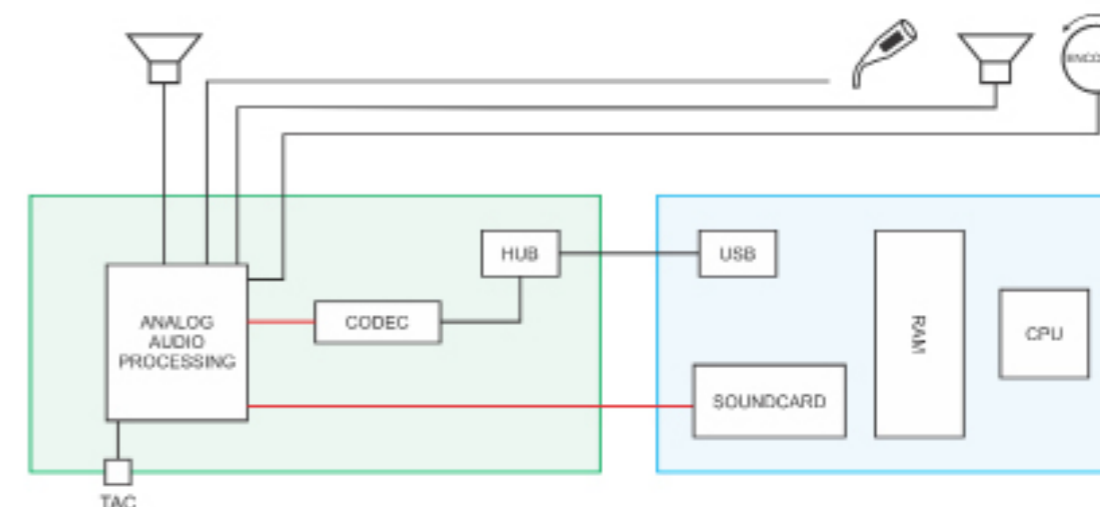
Options

- » Hardware **Echo Cancellation** (for use with duplex audio, in case no echo cancellation is present in software)
- » 16 GB RAM
- » **Handset** (one or more on the left or right side) can be either:
 - a) USB; Besides the Handsfree audio, this offers an extra, independent, voice channel.
 - b) Analog Switching; There is one audio (voice) channel that switches automatically from Handsfree to Handset when lifting the Handset.
- » Custom **logotype** on the top frame



Rack Mount BeFREE 10 with Handset

Audio Diagram





Touchcomputer BeFREE 07

7.0" Compact Touchcomputer with Integrated Intercom and Handset



Options

- » Hardware **Echo Cancellation** (for use with duplex audio, in case no echo cancellation is present in software)
- » 16 GB RAM
- » Extra USB **Handset**; Besides the Handsfree audio this offers an extra, independent, voice channel.
- » **HID Gamepad** Interface
- » **Keyboard** - if more shortcut keys are needed
- » **Inclination mechanism** to change the angle of the display
- » Custom **logotype** on the top frame
- » Custom **printing** on the line keys



Audio

- » USB Audio device
- » Programmable signal processing includes ambient noise suppression (noise gating), signal compression and limiting
- » Analogue front-end designed to meet wide-band IP telephony standards
- » Automatically switching from Handsfree (Intercom) to Handset

Intercom

- » Stereo loudspeakers (2 x 5W) with volume control encoder
- » Separate alert/alarm audio output
- » Goose-neck microphone with illuminated PTT key
- » Optional echo-canceller with digital signal processor

Handset

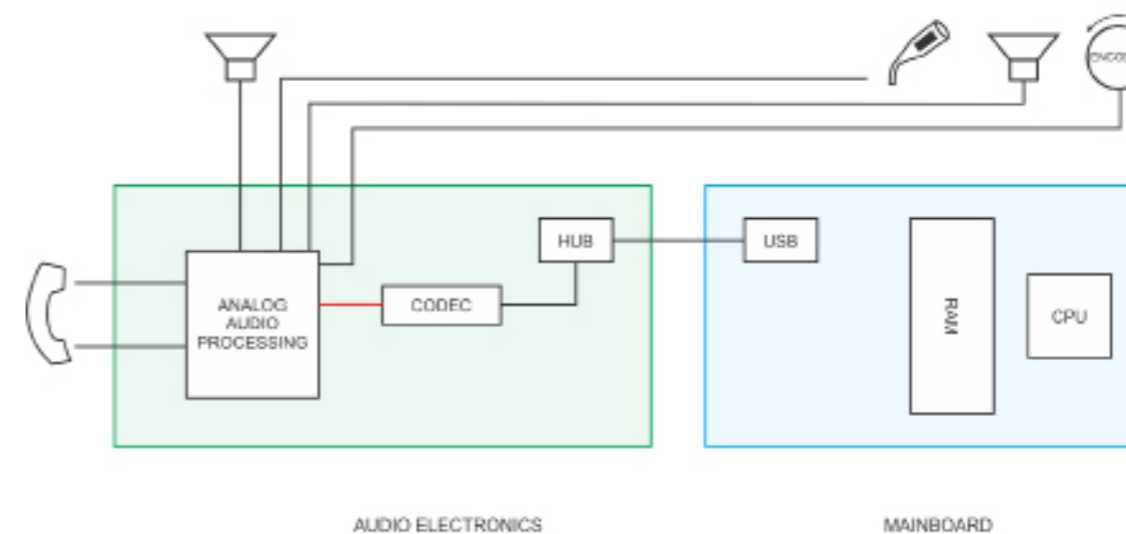
- » Programmable PushToTalk key and Hook switch
- » Programmable side-tone
- » Integrated acoustic shock protection
- » Optional dial-pad

Programmable Keys & Indicators

- » 6 programmable keys
- » Three colour bar-graph display



Audio Diagram



Differences Between BeFREEs

BeFREE 22

Display Size	15.6"
Display Resolution	HD (1920 x 1080)
Touchscreen	Projected Capacitive (PCAP)
Embedded Computer	Intel J6412, 8GB RAM (Optional 16 GB), 256GB SSD
Analogue Sound Card	Internally Connected to InterCom
Ext. Sound Card Connections	Yes
Intercom	Integrated (USB and/or Analogue)
USB Audio Codecs	2
Ext. Analogue Audio in & out	Yes
Stereo Loudspeakers	Yes (2 x 5W)
Volume Control Encoders	2
Volume Control Keys	Yes
Goose-Neck Microphone	Yes
Illuminated PTT Key	Yes
Bar-Graph Displays	2
Control Keys	5
Line Keys	16 -with LED Indicators (Optional without line keys)
External Digital Inputs	2
Handset	Optional module (USB or Analogue)
Dimensions W x D x H [mm]	440 x 342 x 112
Inclination Mechanism	TM-SUA

BeFREE 20

15.0"	10.4"	7.0"
XGA (1024 x 768)	XGA (1024 x 768)	800 x 480
ELO 5-wire Resistive	Projected Capacitive (PCAP)	Projected Capacitive (PCAP)
Intel J6412, 8GB RAM (Optional 16 GB), 256GB SSD	Intel J6412, 8GB RAM (Optional 16 GB), 256GB SSD	Dual Core Celeron N6210, 8GB RAM (Optional 16 GB), 64 GB SSD (Optional 256 GB SSD)
Internally Connected to InterCom	Internally Connected to InterCom	-
Yes	-	-
Integrated (USB and/or Analogue)	Integrated (USB and/or Analogue)	Integrated (USB Audio)
2	1	1
Yes	-	-
Yes (2 x 5W)	Yes (2 x 5W)	Yes (2 x 5W)
2	1	1
Yes	-	-
Yes	Yes	Yes
Yes	Yes	Yes
2	1	1
5	3	-
-	Optional 12 programmable keys	6
2	2	-
Optional module (USB or Analogue)	Optional module (USB or Analogue)	Integrated (Analogue)
440 x 342 x 112	332 x 278 x 100	332 x 278 x 113
TM-SUA	TM-SUA	TM-SUA

BeFREE 10

BeFREE 07

Touchcomputer BeFREE 03

3.5" Touchcomputer

More Details



Fanless ARM CPU
 » 800 MHz ARM Cortex A7
 » 1 GB RAM
 » 4 GB Flash



Display
 3.5", VGA (320 x 480)

Touchscreen
 Projected Capacitive (PCAP)

Optional
 3 programmable keys

- » The BeFREE 03 is the smallest BeFREE module.
- » It enables to add a touchscreen and network connection to Tipro's Intercom and/or Handset with a small footprint.
- » In contrast to its larger siblings that have microphone and speakers integrated, the BF03 is designed to be combined with other Voice Communication Modules.
- » The BF03 comes with a pre-installed Industrial Embedded Linux Distribution (Torizon OS). It is open source, built with Yocto and it uses Docker software containers.

Mass Storage

- » Type: internal eMMC flash
- » Capacity: 4GB
- » External mass storage: µSDCard slot



BeFREE 03 with Handset and Intercom

Options

- » **Intercom**
 A logical combination of Intercom and BeFREE03 makes a very compact voice communication module with ethernet connection.
- » **Handset** (on the left or right side)
- » **Intercom and Handset.** The handset can be either:
 - a) USB; Besides the Handsfree audio, this offers an extra, independent, voice channel.
 - b) Analog Switching; There is one audio (voice) channel that switches automatically from Handsfree to Handset when lifting the Handset.
- » **HID Gamepad Interface**
- » **Keyboard** - if more shortcut keys are needed
- » **POE** (Power over ethernet). In this case only one cable (ethernet) is needed
- » Custom **logotype** on the top frame
- » Custom **printing** on the keys

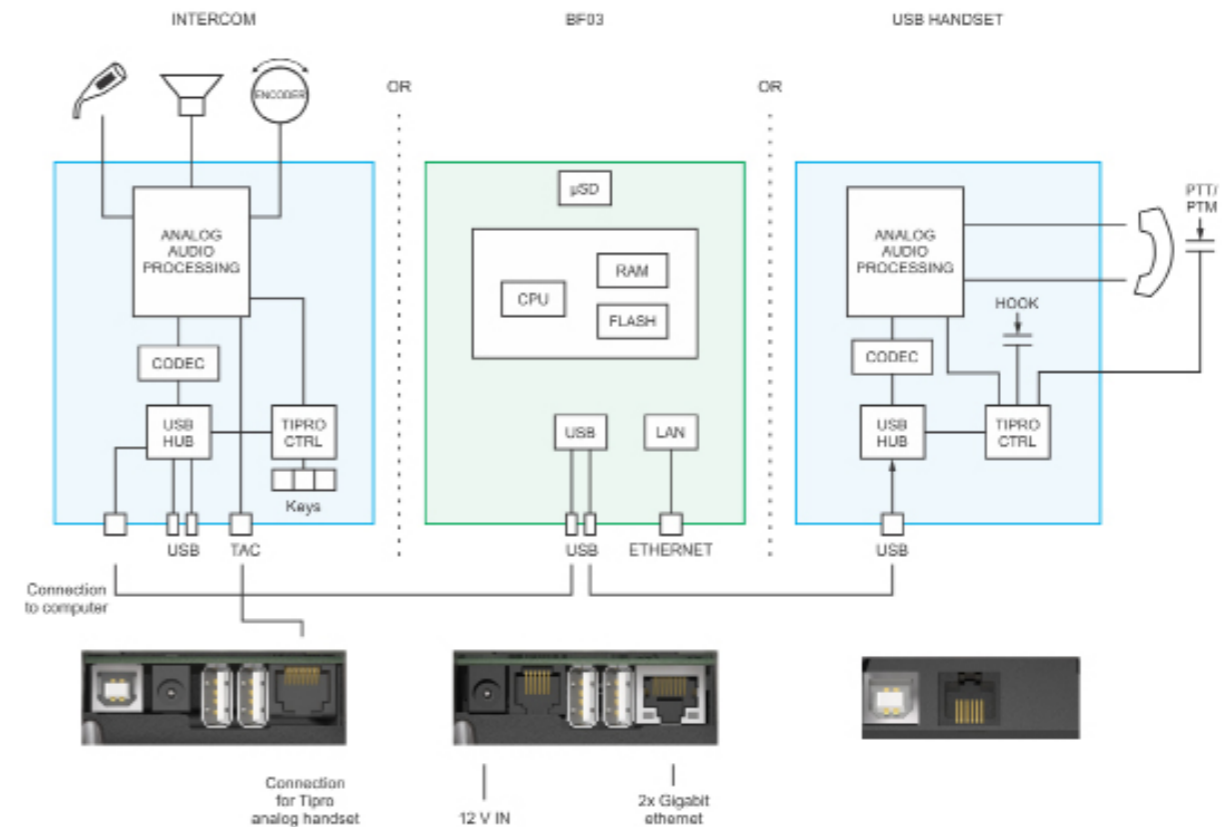


BeFREE 03 with Handset



BeFREE 03 with Intercom

Audio Diagram





Touchmonitor FREE+ 22

15.6" Touchmonitor with Integrated Intercom and Line Keys



- » Ergonomic integration of a touchscreen, microphone and speakers
- » Can be used with any external computer
- » DisplayPort and HDMI display interface
- » USB input for touch, audio and Tipro controller
- » Modular – can be combined with other modules into multifunctional terminals
- » Low-profile horizontal design
- » Cable management – hidden and secured, but accessible
- » Built-in Tipro Controller with HID Keyboard & HID Telephony Interface. HID Gamepad optional.

Intercom

- » Stereo loudspeakers (5W each) with two separate volume controls (incremental encoders)
- » Goose-neck microphone with illuminated PTT key
- » Dual USB audio device
- » Can be connected to the sound card of the external computer
- » Connection for analogue switching Handset
- » Optional echo-canceller with a digital signal processor

Keys & Indicators

- » Two volume control incremental encoders (endless potentiometers)
- » Illuminated PTT key
- » Five mechanical keys for brightness control, volume adjustment and touchscreen (de)activation
- » Dual three-colour bar-graph display as VU meter, volume and brightness indicator
- » Several LED indicators (power, microphone, touchscreen ...)

Options

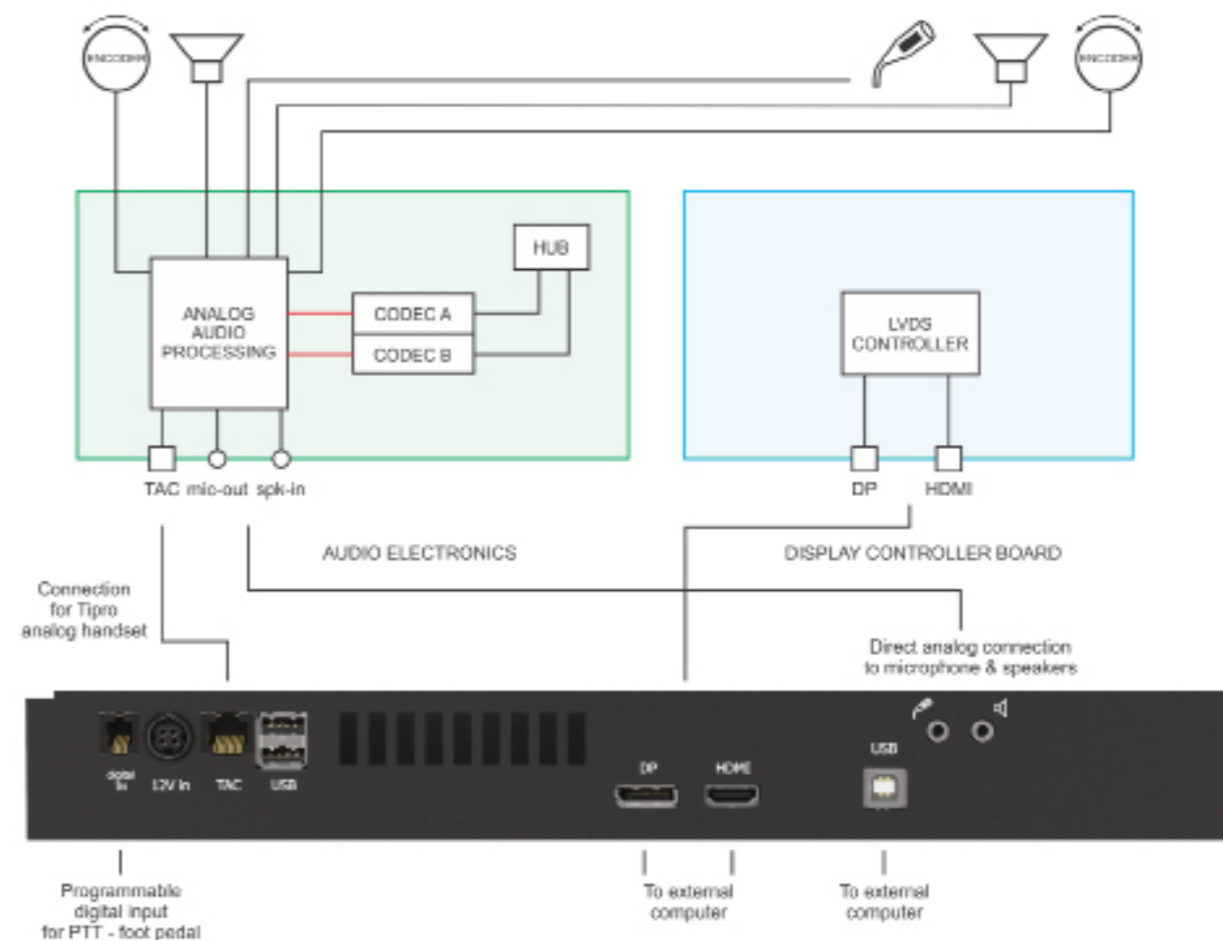
- » Hardware **Echo Cancellation** (for use with duplex audio, in case no echo cancellation is present in software)
- » **Handset** (one or more on the left or right side) can be either:
 - a) USB; Besides the Handsfree audio, this offers an extra, independent, voice channel.
 - b) Analog Switching; There is one audio (voice) channel that switches automatically from Handsfree to Handset when lifting the Handset.
- » **HID Gamepad** Interface
- » **Keyboard** - if more shortcut keys are needed
- » **Inclination mechanism** to change the angle of the display
- » Custom **logotype** on the top frame
- » Custom **printing** on the line keys

Programmable Keys - User Configurable

- » 16 single keys with integrated LED indicators or
- » 8 double keys with integrated LED indicators or
- » 16 blind keys or
- » Various combinations of single, double and blind keys
- » Optional without programmable keys



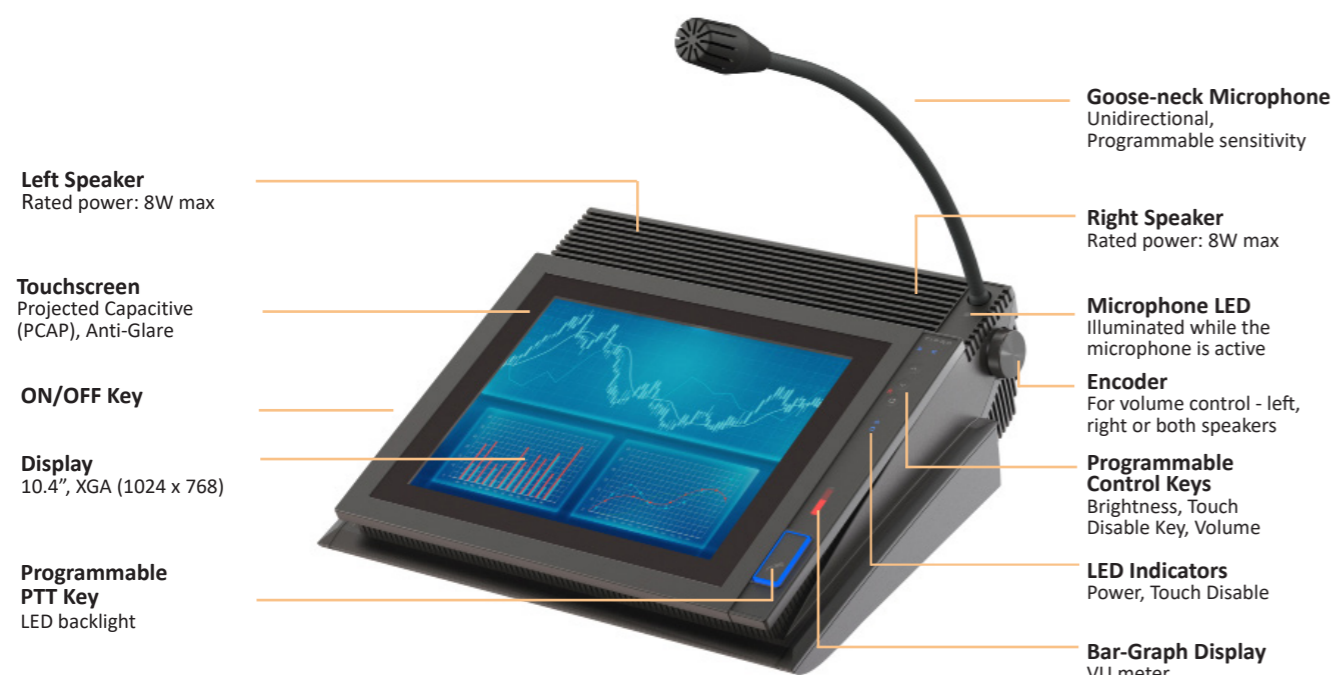
Audio Diagram





Touchmonitor FREE+ 10

10.4" Touchmonitor with Integrated Intercom



- » Ergonomic integration of a touchscreen, microphone and speakers
- » Can be used with any external computer
- » DisplayPort and HDMI display interface
- » USB input for touch, audio and Tipro controller
- » Modular – can be combined with other modules into multifunctional terminals
- » Low-profile horizontal design
- » Cable management – hidden and secured, but accessible
- » Built-in Tipro Controller with HID Keyboard & HID Telephony Interface. HID Gamepad optional.

Intercom

- » Stereo loudspeakers (5W each) with two separate volume controls (incremental encoders)
- » Goose-neck microphone with illuminated PTT key
- » USB audio device
- » Connection for analogue switching Handset
- » Optional echo-canceller with a digital signal processor

Options

- » Hardware **Echo Cancellation** (for use with duplex audio, in case no echo cancellation is present in software)
- » 12 additional tactile **programmable keys** with custom **printing**
- » **Handset** (one or more on the left or right side) can be either:
 - USB; Besides the Handsfree audio, this offers an extra, independent, voice channel.
 - Analog Switching; There is one audio (voice) channel that switches automatically from Handsfree to Handset when lifting the Handset.
- » **HID Gamepad** Interface
- » **Keyboard** - if more shortcut keys are needed
- » **Inclination mechanism** to change the angle of the display
- » Custom **logotype** on the top frame

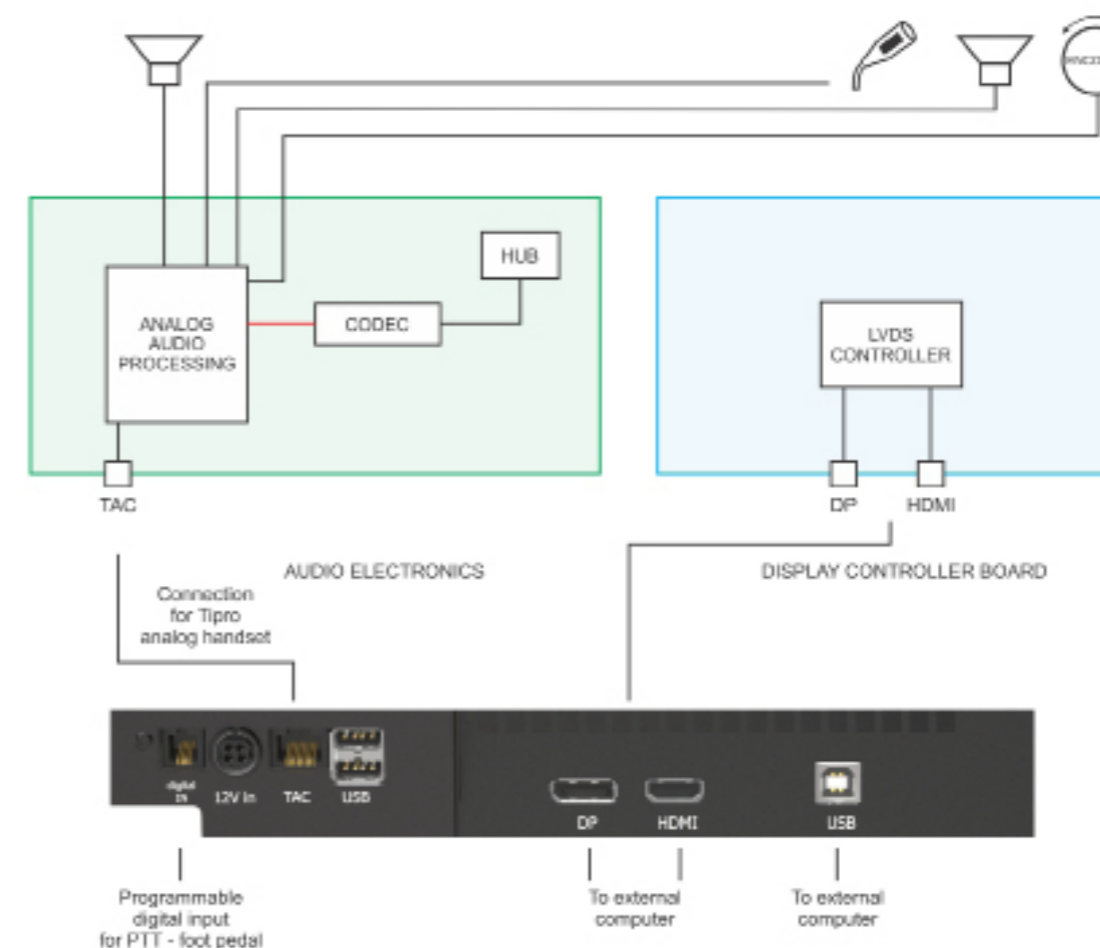
Keys & Indicators

- » Volume control incremental encoder (endless potentiometer) with switch
- » Illuminated PTT key
- » Three mechanical keys for brightness control and touchscreen (de)activation
- » Three-colour bar-graph display as VU meter, volume and brightness indicator
- » Several LED indicators (power, microphone, touchscreen ...)
- » Optional 12 Line Keys (factory built-in)



Optional: Line Keys

Audio Diagram





Intercom

USB Audio Device for the Hands-Free Communication



- » Compact design.
- » It can be used on its own, as USB audio device or in combination with a Handset.
- » It can be expanded with a second speaker unit which allows for independent volume control for the left and right channel and has a digital input (e.g. foot-switch).
- » Besides this, it can be used in combination with the BeFREE 03 as a very compact console solution.
- » Keys can be programmed as keyboard, HID Telephony, HID Gamepad events.
- » Audio settings can be programmed (volume settings, microphone sensitivity, PTT/PTM, HOOK events, etc).
- » All settings stored in hardware, configuration software: [ChangeMe](#).

Programmable Keys - User Configurable

- » PTT key + 2 freely programmable keys



Intercom with Handset and Keyboard

Options

- » Hardware **Echo Cancellation** (for use with duplex audio, in case no echo cancellation is present in software)
- » Extra **Speaker** module with independent volume control, three programmable keys and digital input
- » **BeFREE03**
In combination with the BF03, a compact and low-cost dispatching solution can be built.
- » **Handset** (on the left or right side). The handset can be either:
 - a) USB; Besides the Handsfree audio, this offers an extra, independent, voice channel.
 - b) Analog Switching; There is one audio (voice) channel that switches automatically from Handsfree to Handset when lifting the Handset.
- » **HID Gamepad** Interface
- » **Keyboard** - if more shortcut keys are needed
- » Custom **logotype** on the top frame
- » Custom **printing** on the keys

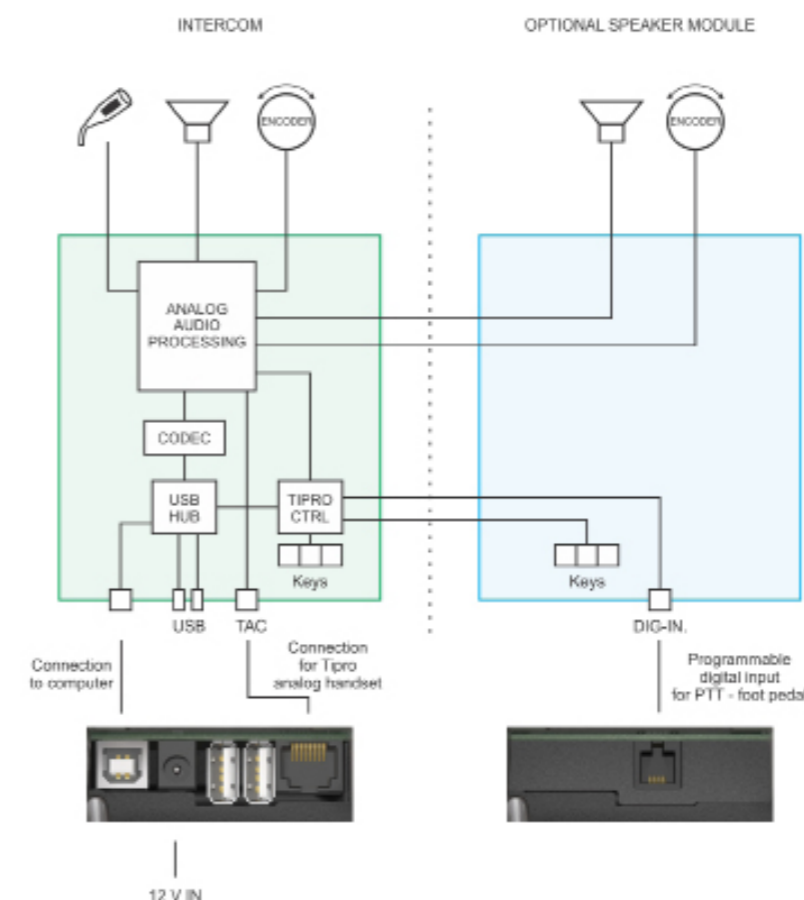


Intercom with extra Speaker module



Intercom with Handset

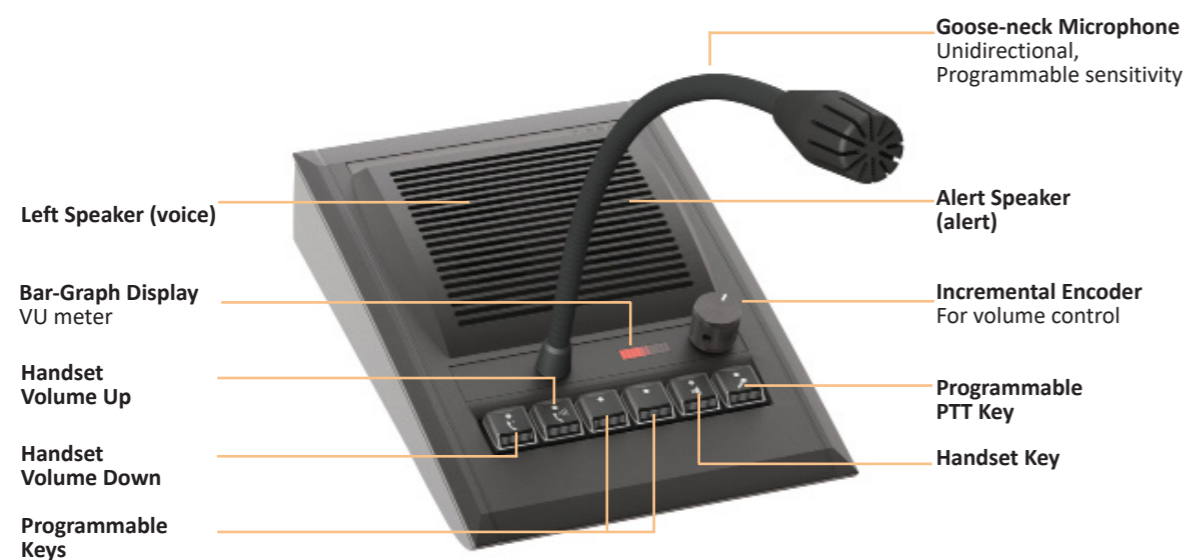
Audio Diagram





Speakerbox

USB Audio Device for the Hands-Free Communication



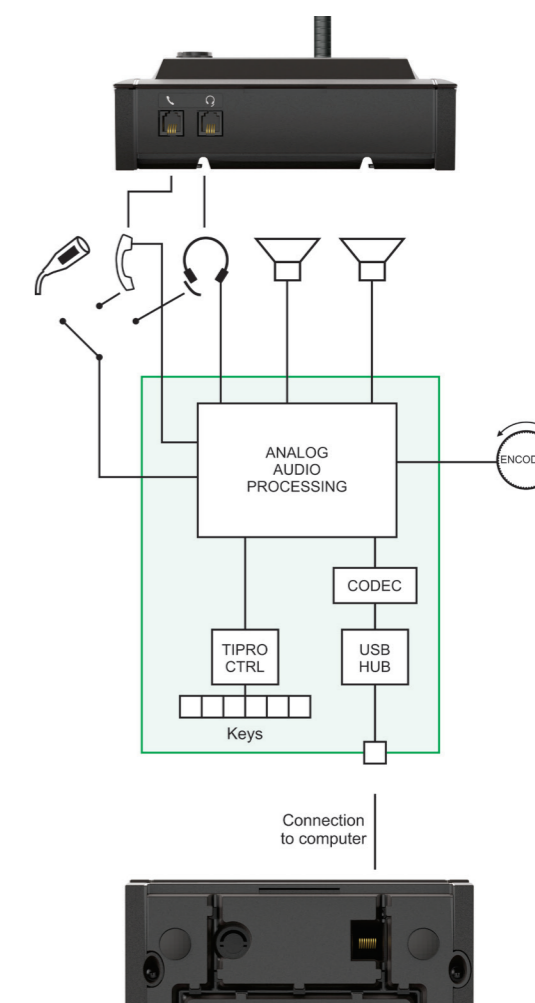
Options

- » Hardware **Echo Cancellation** (for use with duplex audio, in case no echo cancellation is present in software)
- » **Handset** (on the left or right side). The handset can be either:
 - a) USB; Besides the Handsfree audio, this offers an extra, independent, voice channel.
 - b) Analog Switching; There is one audio (voice) channel that switches automatically from Handsfree to Handset when lifting the Handset.
- » **Keyboard** - if more shortcut keys are needed
- » Custom **logotype** on the top frame
- » Custom **printing** on the keys



Speakerbox with Keyboard

Audio Diagram



Speakerbox with Handset and Keyboard



Speakerbox with Handset

- » Add-on module or standalone device
- » Can be combined with other Tipro modules e.g. Handset, keyboard
- » Keys can be programmed as keyboard emulation, HID Telephony events
- » Audio settings can be programmed (volume settings, microphone sensitivity, PTT/PTM, HOOK events, etc)
- » All settings stored in hardware, configuration software: [ChangeMe](#)

Intercom

- » Stereo loudspeakers (Left and Right, 2 x 2 x 1W) with volume control encoder
- » Goose-neck microphone with illuminated PTT key
- » USB audio device
- » HID telephony interface supported
- » Optional echo-canceller with a digital signal processor

Programmable Keys - User Configurable

- » 6 single keys with LED indicator
- » Various combinations of single, double and blind keys



Handset

USB Handset Module with PushToTalk/PushToMute function



Options

- » **Dialpad**
A mechanical key pad can be integrated. All keys are fully programmable.
- » **BeFREE**
Handsets can be added to any BeFREE.
- » **Intercom or Speakerbox**
Because of the modular design, the Handset can be combined with a Speakerbox or intercom on the left or right side.
- » **Analog switching** only in combination with BeFREE or Intercom
- » **HID Gamepad** Interface
- » **Keyboard** - if more shortcut keys are needed
- » **Custom logotype** on the top frame



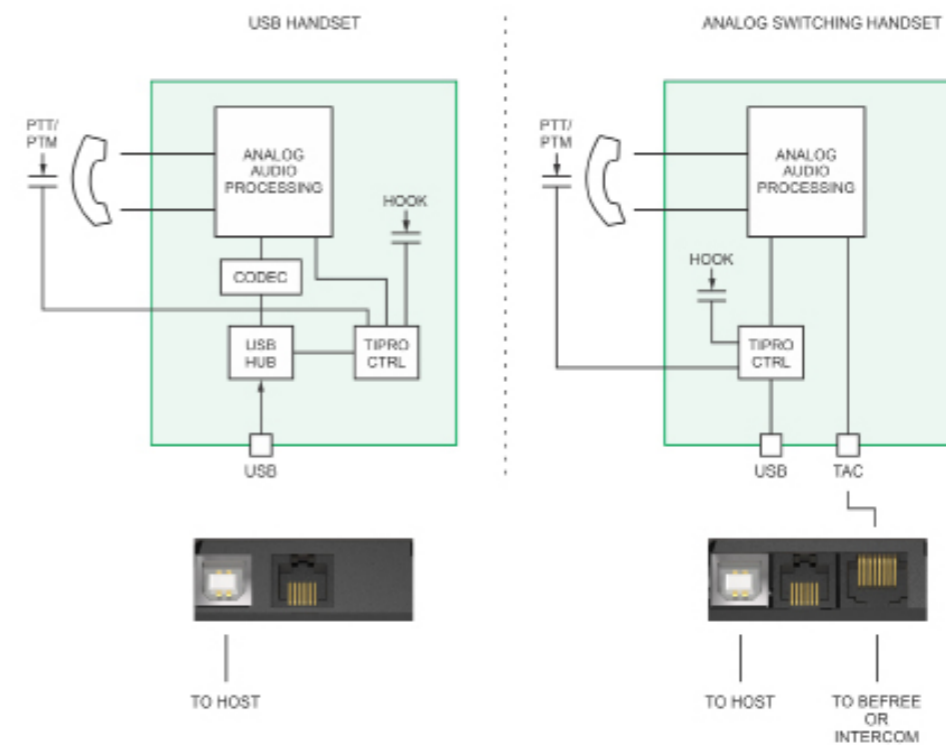
- » Add-on module or standalone device (if a Tipro controller is integrated in)
- » Combination of a USB audio device and a HID keyboard (plug&play operation with generic drivers)
- » Can be combined with other Tipro modules, e.g. BeFREE, Speakerbox, Intercom, keyboard
- » Events can be programmed as keyboard, HID Telephony, HID Gamepad
- » Audio settings can be programmed (volume settings, microphone sensitivity, PTT/PTM, HOOK events, etc)
- » All settings stored in hardware, configuration software: [ChangeMe](#)

- » Designed to meet wide-band IP telephony standards
- » USB audio device
- » HID telephony interface supported (HID Gamepad Optional)
- » Integrated acoustic shock protection
- » Push To Talk (PTT) or Push To Mute (PTM)
- » Hardware generated side-tone



BeFREE 22 with Handset

Audio Diagram





Keyboards FREE

Modular Programmable Keyboards

Different keycap sizes and colours



Custom printing on the keys

- » characters
- » symbols
- » multiple symbols
- » different colors
- » pictograms/icons

- » Wide selection of sizes (32, 64, 96 and 128 keys)
- » Can be either add-on module or stand-alone (needs Tipro controller)
- » Robust and durable
- » Modules can be freely combined into different configurations
- » Compatible with [Voice Communication Dispatching devices](#)
- » Mechanical keys (Cherry MX) with ergonomic tactile feedback for intensive typing
- » Various keycap sizes and colours
- » Custom printing on the keys
- » Custom logotype on the top frame



BeFREE 10 with 32-keys Keyboard

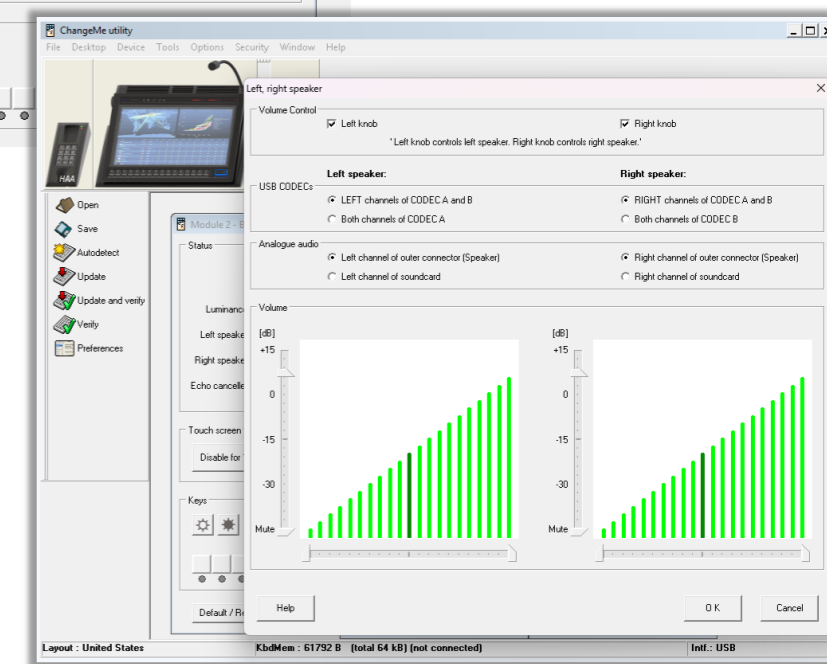
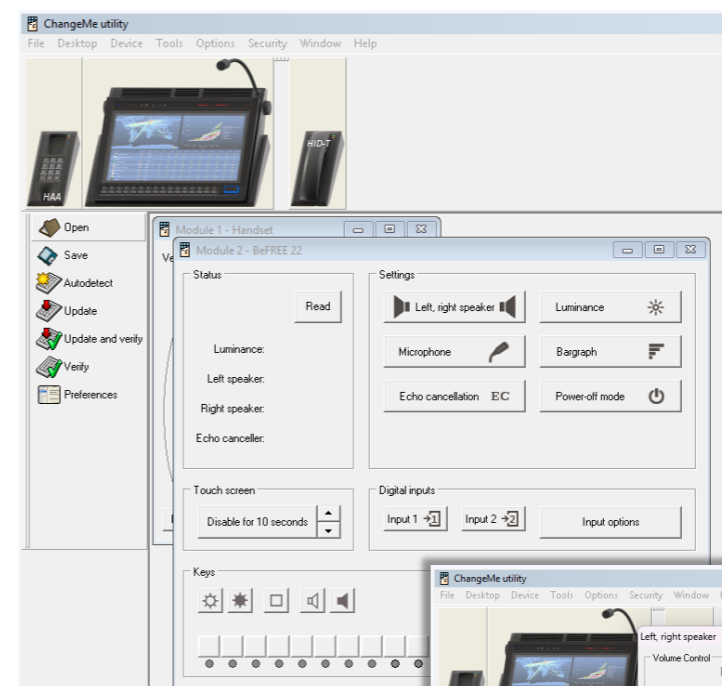


128-keys Keyboard with Intercom



ChangeMe Software

- » The programming utility to configure the modules of the product family BeFREE / FREE+/FREE
- » No technical knowledge is required
- » Automatic detection of connected configuration
- » All keys can be programmed (4 layers)
- » Audio settings can be configured



» Tipro offers API for both, Windows and Linux. Available on our website.

TIPRO d.o.o.
Ljubljanska cesta 64
1290 Grosuplje
Slovenia

T: +386 (1) 78 88 200
E: tipro@tipro.si
sales@tipro.si
support@tipro.si

Built in Europe.
Trusted Worldwide.

